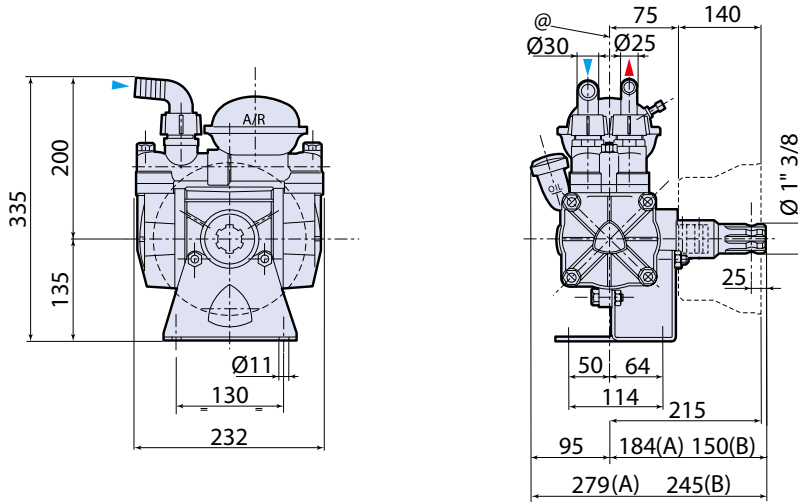
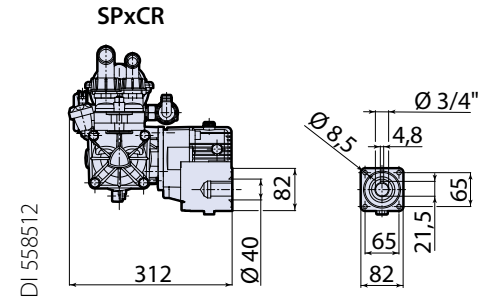
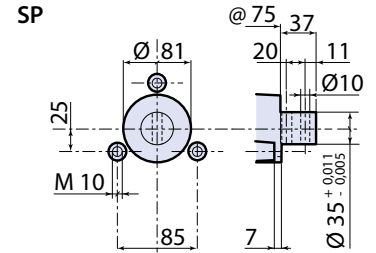




# AR 70 BP



A = C/w cardan - 配花键轴, C 轴尺寸  
 B = Integral shaft - 花键轴  
 @ = Pump axis - 泵中心线



DI 558512

With reduction gear - 配减速箱尺寸